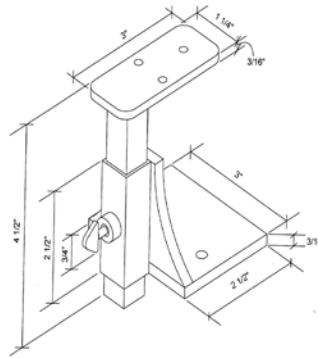


Crosley Medical Products Inc.
 60-E South Second St., Deer Park, NY 11729-4717
 Email: crosleymedical@aol.com
 Telephone: 631-595-2547 ♦ Fax: 631-595-1732

Seating & Positioning Component Pieces & wheelchair accessories

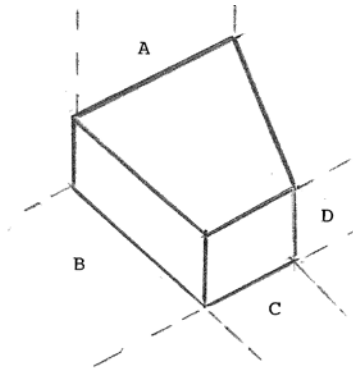
ORDER FORM – RETAIL PRICING

<u>Part No.</u>	<u>Description</u>	<u>Retail Price</u>
<input type="checkbox"/> Abd-WH	Abduction wedge hardware, removeable	\$ 100



<input type="checkbox"/> Abd-W	Abduction wedge, custom trapezoid shape <i>Specify dimensions</i>	\$ 167
--------------------------------	--	--------

- (A) Width – front: 4WF 5WF 6WF
 (B) Depth: 5D 6D 7D
 (C) Width – rear: 3WR 4WR 5WR
 (D) Height: 5H 6H



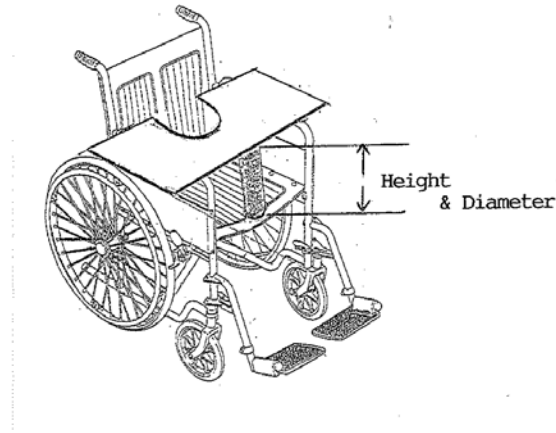
- Abd-S Abductor, proximal femoral straps, pair \$ 84
Specify size of leg circumference at groin
 12-15" Small S
 15-18" Medium M
 18-23" Large L

- Abd-Lap Abduction wedge off lapboard \$ 200
Specify

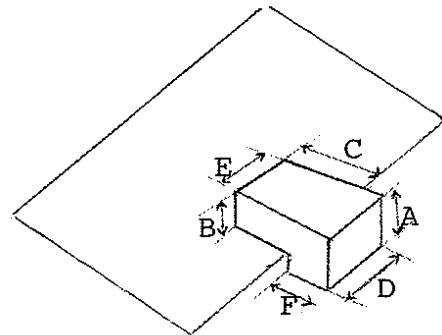
Height from top of flange to top of seat:

- 6H 7H 8H 9H

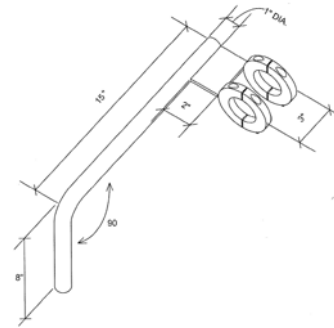
Diameter: 3D 4D 5D 6D



- Abd-BB Abduction wedge beyond & below seat \$ 267



- AntiF Anti-tippers, front, extra heavy duty \$ 367

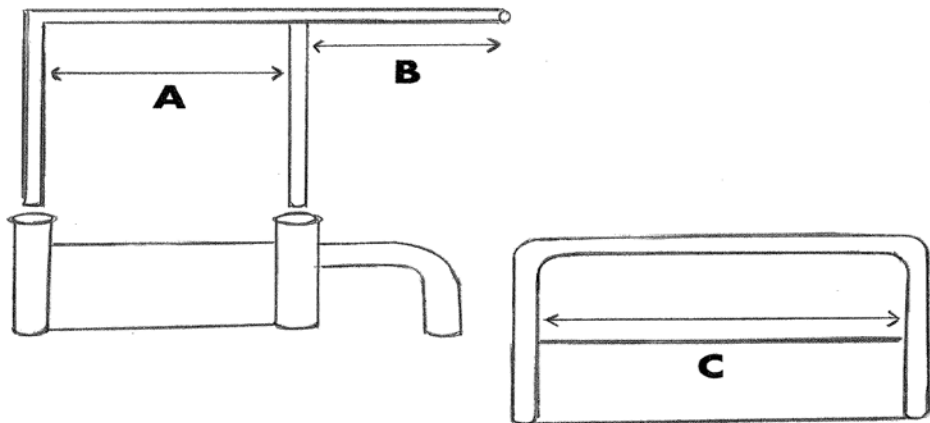


- Anti-R-Tuff Anti-tippers, rear – six wheel conversion for Tuffcare Tuffy ® wheelchair #377 \$ 994

- Arm-Roll Arm pad *rolls* for dual post arms, top section, height adjustable full length \$ 200

Specify lengths at (A) _____” and (B) _____ “ for full length

Full F



Specify length at (C) _____ for full length, non-height adjustable or desk length arm

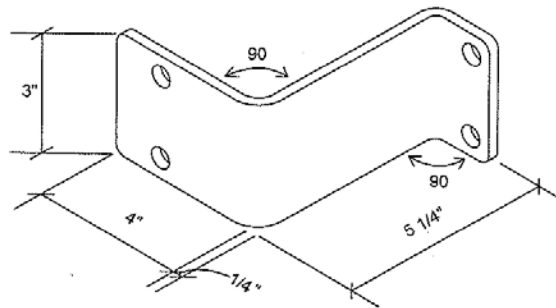
Full length

Desk length

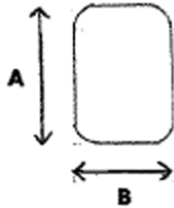
- Arm-Pad-F Arm pads, full length, non-breakable Polyethylene, pair, 13½ long \$ 67

Arm-Pad-EXL Arm pads, extra-long, non-breakable Polyethylene, pair, 18" long \$ 134

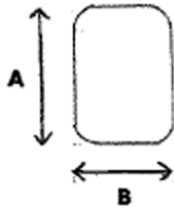
CP-B Calf panel brackets, pair \$ 217



CP-P Calf panels, 3/8 Polyethylene, pair \$ 114

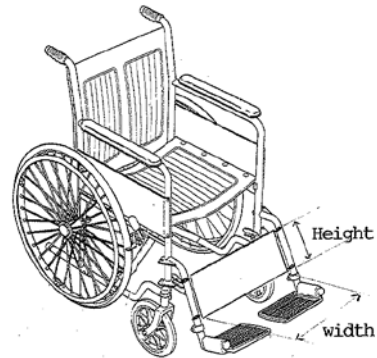
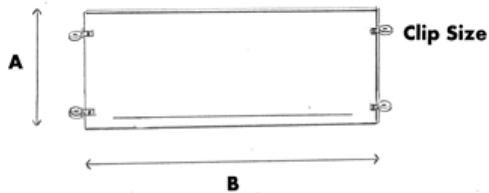


CP-Pad Calf panels, 1/2" foam padded, pair \$ 267



- CP-Flex Calf panel flexible, fixed in place \$ 175
Specify

Height _____ Width _____
 Clip size 3/4" 7/8" 1"



- CP-B-EL Calf panel brackets, elevating, for solid seat, pair \$ 217
- CP-Pad-EL Calf panel for elevating calf panel brackets, padded, pair \$ 114

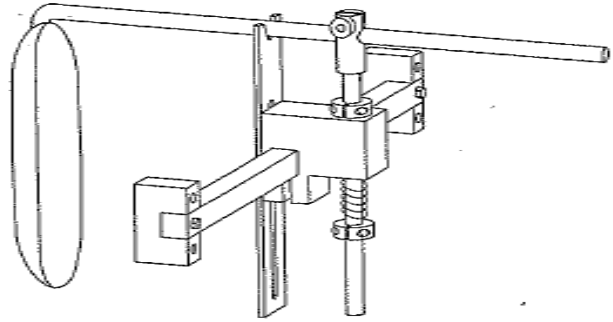
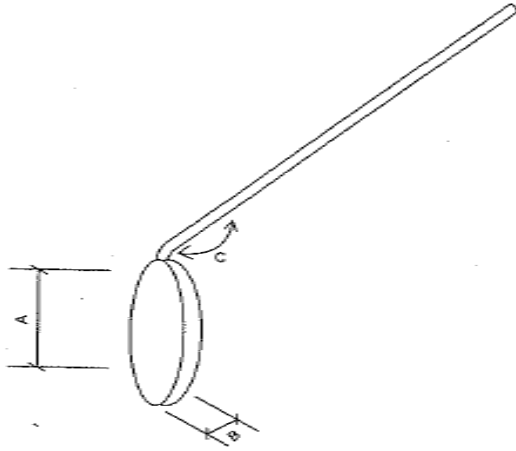


- Cast-J-EX Caster journal housing extensions, pair \$ 134
- Chest-SH Chest strap harness with suspenders \$ 284

- Clav-Pad Clavicle Pads, pair \$ 685

Specify:

- Length of pad: LP 5 LP 6 LP7 LP8
- Angle of pad: AP 100° AP 110° AP 120°
- Length of horizontal bar: LB 12 LB 14 LB 16



- Foot-T Foot tubes, extra heavy duty, Stainless Steel, pair \$ 267
- Foot-T-Bush Foot tube bushing for extra heavy duty, Stainless Steel foot tubes, each \$ 20
- Foot-ST Foot stops, pair \$ 200

- Foot-Strap Foot straps. Leather with buckles, pair \$ 80

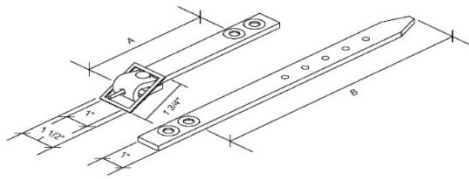
Specify:

(A) Strap length to buckle: □ SB 5-6" □ SB 7-8" □ SB 9-10"

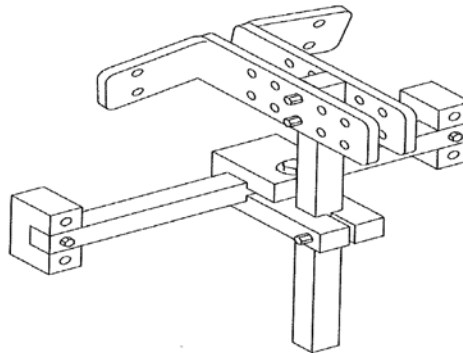
(B) Strap length to tongue side: □ ST 10-11" □ ST 12-13" □ ST 14-15"

Buckle side (SB)

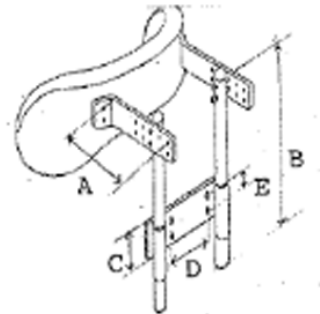
Tongue side (ST)



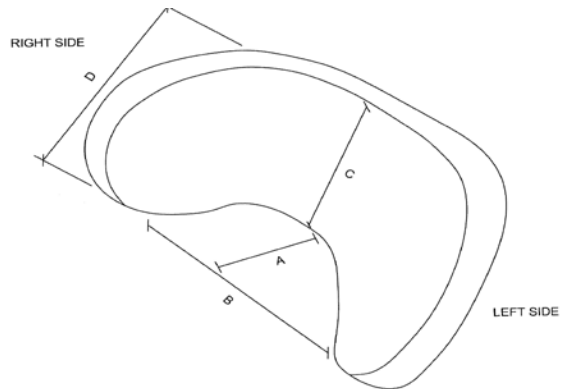
- Head-Br-ALB Headrest bracket, Aluminum block \$ 426



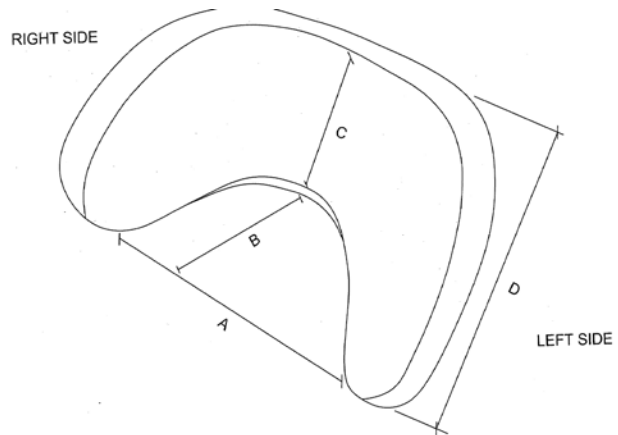
- Head-Br-DP Headrest bracket, dual post \$ 167



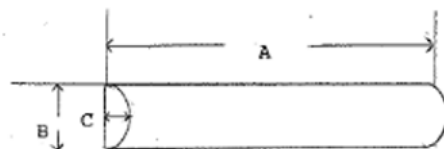
- Head-P-BB Headrest pad, beyond & below \$ 292



- Head-P-BBEX Headrest pad, beyond & below, extra deep \$ 326



- Neck-SD (D) shape neck rest support pad \$ 200



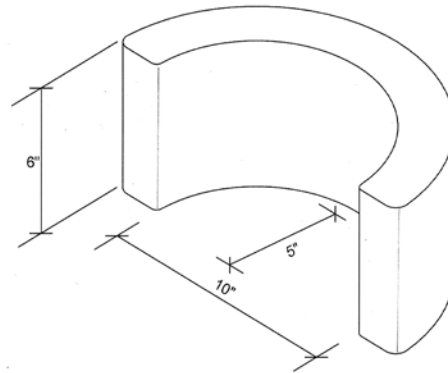
- Head-S-F Headrest support flat pad 14" Wide x 6" High \$ 286

- Head-Cov-PO Polar fleece headrest removeable cover only \$ 92

Specify headrest model:

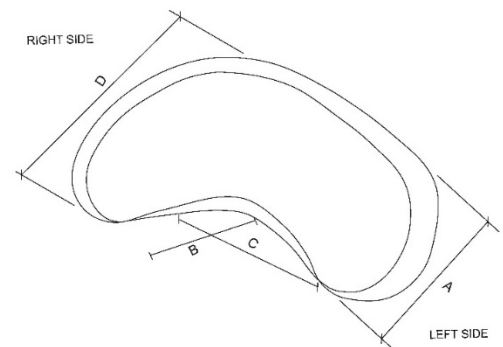
- | | |
|-------------------------------|---------------------------------|
| Beyond & Below pad | <input type="checkbox"/> BB-st |
| Beyond & Below extra deep pad | <input type="checkbox"/> BB-ex |
| (D) shape neckrest | <input type="checkbox"/> D-neck |
| Flat headrest pad | <input type="checkbox"/> F-pad |
| (C) shaped head pad | <input type="checkbox"/> C-pad |

- Head-P-C Headrest pad, curved \$ 292

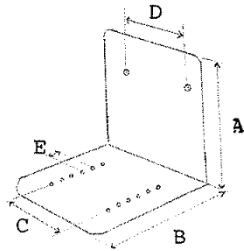


- Head-PEX-R Headrest pad extra deep, beyond & below, extended on right \$ 326

- Head-PEX-L Headrest pad extra deep, beyond & below, extended on left \$ 326



- Heel-C Heel cups, pair \$ 100
- Hip-GB Hip guide brackets, pair \$ 87



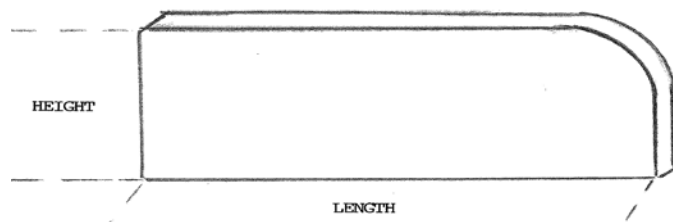
- Hip-GP Hip guide pads, pair. \$ 217

Specify:

- Length of pad: 6L 7L 8L 9L 10L
 11L 12L 13L 14L 15L
 16L 17L 18L 19L 20L

Height of pad: 4H 5H 6H 7H 8H

Thickness of seat cushion at side for hip guide pads to sit on top of the seat _____”

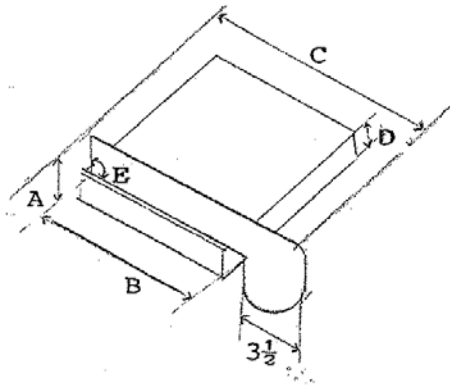


□ Hip-GBB Hip guide beyond & below, pr.

\$ 334

Specify:

- (A) Height of hip guide _____
- (B) Length of hip guide at bottom from the beyond & below feature rearward _____
- (C) Overall length of hip guide _____
- (D) Height of seat cushion _____
- (E) Angle at rear of hip guide (determined by seat/back angle) _____



- Lap-Poly-STD Lapboard, upper extremity support, custom made,
up to 24 x 24

\$ 367

Specify:

(A) Outside width: 20W 21W 22W 23W 24W

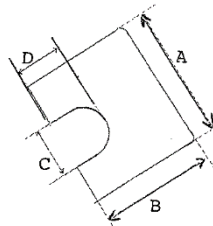
(B) Outside depth: 20D 21D 22D 23D 24D

(C) Cutout width: 9W 10W 11W 12W 13W
 14W 15W 16W 17 W 18W

(D) Cutout depth: 7D 8D 9W 10W 11W 12W

Specify lateral arm pad to arm pad measurement _____ - pull arms together
to eliminate slop

Specify arm pad total thickness _____



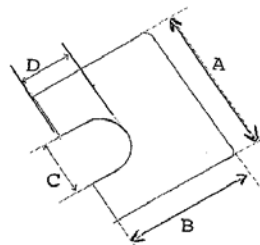
- Lap-Poly-O Lapboard, upper extremity support, custom made, \$ 468
Oversized up to 28 x 28

Specify:

- (A) Outside width: 25W 26W 27W 28W
(B) Outside depth: 25D 26D 27D 28D
(C) Cutout width: 9W 10W 11W 12W 13W 14W
 15W 16W 17W 18W 19W 20W
 21W 22W
(D) Cutout depth: 9D 10D 11W 12W 13D 14D
 15D 16D

Specify lateral arm pad to arm pad measurement _____ - pull arms into each other to eliminate slop

Specify arm pad total thickness _____

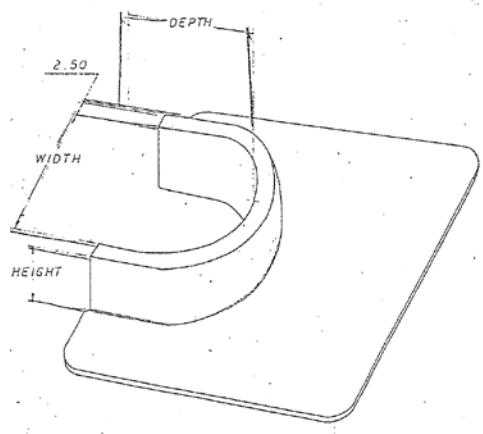


- Lap-B-In-R Built-up inner rim, custom made for lapboard upper extremity support

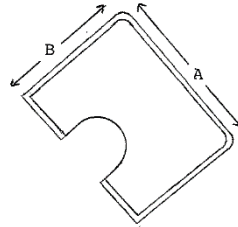
\$ 835

Specify:

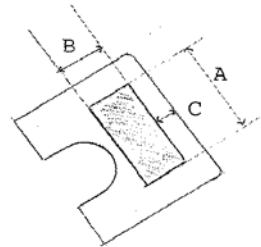
(A) Cutout finished depth _____ (B) Cutout finished width _____



- Lap-Top-P** Top pad, custom made for Lapboard upper extremity support \$ 300
Specify:
 Width and depth
 (A) _____ (B) _____”



- Lap-Bot-P** Bottom pad, custom made for lapboard upper extremity support \$ 184
Specify
 Width, depth & recess
 (A) _____” (B) _____” & (C) _____”



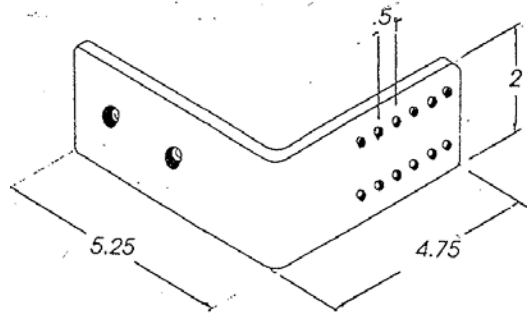
- Lap-slide-M** Slide mounts for lapboard upper extremity support, pr. \$ 50



LS-B

Lateral support bracket, extra heavy duty, each

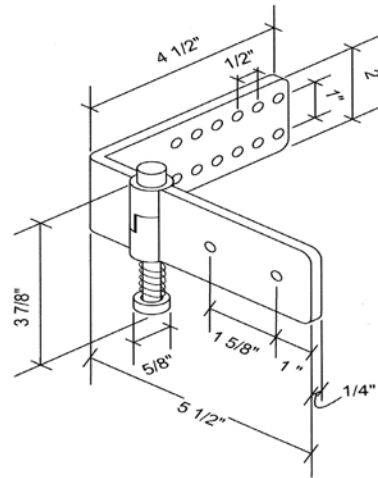
\$ 67



LS-BB

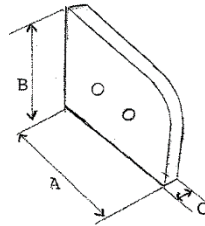
Lateral support breakaway bracket, each

\$ 160



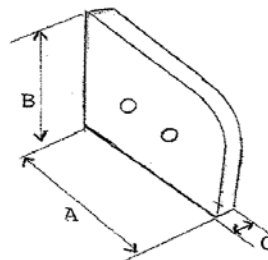
- LSP-V Lateral support pad, each \$ 84
Specify

Patient's Left L Patient's Right R
(A) Depth of pad: 5D 6D 7D 8D
(B) Height of pad: 4H 5H 6H
(C) Thickness of medial foam face: 1/2MF 1MF



- LSP-L Lateral support pad with leather cover, each \$ 134
Specify

Patient's Left L Patient's Right R
(A) Depth of pad: 5D 6D 7D 8D
(B) Height of pad: 4H 5H 6H
(C) Thickness of medial foam face: 1/2MF 1MF



- LSP-CC Lateral support pads, custom curved to patients' body, pr. \$ 585
Must provide template with order form

- Pelv-T Pelvic tube, custom \$ 585

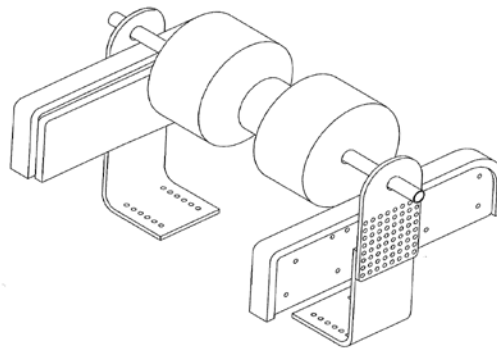
Specify:

Patient's seat width _____

Patient's width of leg at the groin _____ (Left) _____ (Right)

Length of foam at patient's abdomen _____

Outside width of wheelchair frame _____



- Seat-B-One Seat belt, one piece for rear fastening, custom \$ 84

Specify

Length of webbing _____

- Spoke-Pro Spoke protectors for wheelchairs, custom made, pr. \$ 234

You will be required to drill holes for attachment to handrim holes

Specify

Axle size: 5/8" 7/16" 1/2"

Wheel size: 20 22 24

Tire type: Pneumatic Pneumatic with airless tube

High profile solid Low profile solid

- Wheel-Ax-2X Wheel axles, oversized, pr. \$ 94

Specify

Axle diameter: 7/16 1/2 5/8